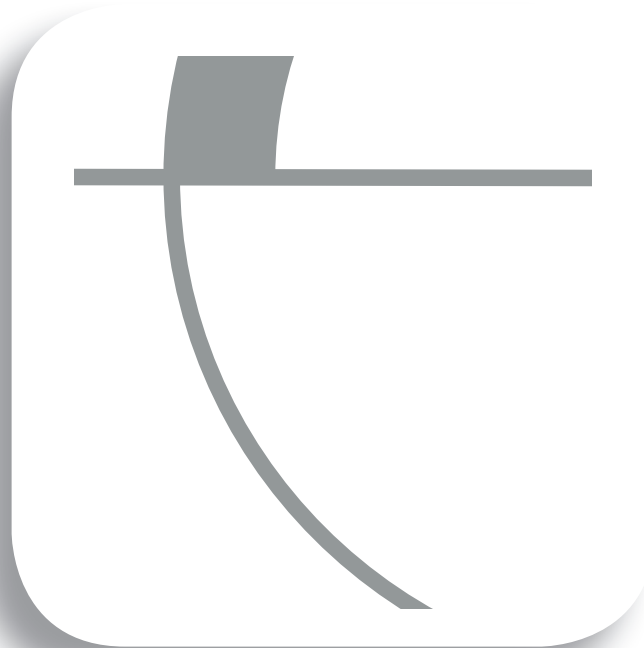




# Retail Price List

2011 - 2012



Version 4 - August 2011  
Prices in £ and exclude VAT & delivery

## adapt<sup>®</sup> 200 range

Pelvic Tilt. Asynchronous Mechanism  
(Made-to-Measure Only)



**Adapt 200**  
**£375**

### Price of Chair without arms

#### Dimensions range:

	Min	Max
Seat Depth (mm)	330	410
Seat Width (mm)	270	410
Back Height (mm)	370	690
Back Width (mm)	270	410

#### Head & Neck Supports

	£	Code
Head Rest	68.00	HEADREST
Neck Roll	68.00	NECKROLL
Neck Curve	68.00	NCURVE

#### Back Options

Reactive Lumbar Support	40.00	/3 LUM
Thoracic Support	23.50	/THOR
Vertical Support (L,R or Both) (each)	19.00	VSL/VSR
Memory Foam Backrest	33.00	MFB

#### Arm Options

Height Adjustable Arms - PU pad	65.00	HAA
Rotating Arms	65.00	WSARM
HAA Arms + retractable pad	72.00	1234
HAA Arms + lateral movement pad	85.00	1233
Mobile Support Arms (pair)	100.00	MSA
Gel Arm Pads (pair)	35.00	GEL
P Shaped Arm Pads (pair)	60.00	UPARM
Lower or Higher Arm adaptation. Normal range 150 - 240mm	41.50	per side ADARM

#### Seat Options

Coccyx Cut Out	15.00	/CC
Coccyx Comfort Zone	10.00	/CZ
Inflatable Thigh Support	30.00	/TS
Memory Foam Seat (additional layer)	28.00	MFS

#### Gas Lifts (seat height in mm)

5" Gas lift (360 - 410)	standard	Gas 5"
7" Gas lift (430 - 530)	standard	Gas 7"
9" Gas lift (500 - 640)	standard	Gas 9"
9" Manual Lift	12.00	MAN

(\*approximate height)

#### Bases and Castors

Brake Loaded Castors (set of 5)	18.00	BLC	
Brake Unloaded Castors (set of 5)	18.00	BUC	
Lockable Castors (set of 5)	13.00	LOC	
Soft Wheel Castors (set of 5)	13.00	SWC	
Anti-static Castors	40.00	ASC	
Footring	30.00	FTR	
50% Footplate	65.00	HFP	
	footplate size		
Brake loaded Footrest/Step	200 x 250	140.00	ESTEP1
Brake loaded Footrest/Step	400 x 400	170.00	ESTEP2

## adapt ® 500 range

Pelvic Tilt. Asynchronous Mechanism      **Adapt 510**      **Adapt 520**      **Adapt 530**      **Adapt 540**

### Price of Chair without arms

**£310**      **£320**      **£330**      **£340**

#### Dimensions:

	Adapt 510	Adapt 520	Adapt 530	Adapt 540
Seat Depth (mm)	440 - 490	440 - 490	470 - 520	470 - 520
Seat Width (mm)	480	480	510	510
Back Height (mm)	460 - 560	500 - 650	460 - 560	500 - 650
Back Width (mm)	440	480	440	480



#### Head & Neck Supports

	£	£	£	£	Code
Head Rest	68.00	68.00	68.00	68.00	HEADREST
Neck Roll	68.00	68.00	68.00	68.00	NECKROLL
Neck Curve	68.00	68.00	68.00	68.00	NCURVE

#### Back Options

Reactive Lumbar Support	40.00	40.00	40.00	40.00	/3 LUM
Thoracic Support	23.50	23.50	23.50	23.50	/THOR
Vertical Support (L,R or Both) (each)	19.00	19.00	19.00	19.00	VSL/VSR
Memory Foam Backrest	33.00	33.00	33.00	33.00	MFB
Upholstered Outer Back	25.00	25.00	25.00	25.00	UOC

#### Arm Options

Height Adjustable Arms - PU pad	65.00	65.00	65.00	65.00	HAA
Rotating Arms	65.00	65.00	65.00	65.00	WSARM
HAA Arms + retractable pad	72.00	72.00	72.00	72.00	1234
HAA Arms + lateral movement pad	85.00	85.00	85.00	85.00	1233
Mobile Support Arms (pair)	100.00	100.00	100.00	100.00	MSA
Gel Arm Pads (pair)	35.00	35.00	35.00	35.00	GEL
P Shaped Arm Pads (pair)	60.00	60.00	60.00	60.00	UPARM

#### Seat Options

XL seat 510 wide x 500 deep (mm)	21.00	21.00	21.00	21.00	EXSEAT
XXL seat 610 wide x 610 deep (mm)	27.00	27.00	27.00	27.00	EXXSEAT
Coccyx Cut Out	15.00	15.00	15.00	15.00	/CC
Coccyx Comfort Zone	10.00	10.00	10.00	10.00	/CZ
Inflatable Thigh Support	30.00	30.00	30.00	30.00	/TS
Reduced Seat Width (min 410 mm)	20.00	20.00	20.00	20.00	REDW
Reduced Seat Depth (min 410 mm with slide)	20.00	20.00	20.00	20.00	REDD
Memory Foam Seat (additional layer)	28.00	28.00	28.00	28.00	MFS

#### Gas Lifts

Gas Lift 1 - Seat Height - 410 - 520 mm *	20.00	20.00	20.00	20.00	GAS1
Gas Lift 2 - Seat Height - 470 - 620 mm *	standard	standard	standard	standard	GAS2
Gas Lift 3 - Seat Height - 610 - 810 mm *	25.00	25.00	25.00	25.00	GAS3
Non Swivel 9" Gas Lift	50.00	50.00	50.00	50.00	NSG
9 " Manual Lift	12.00	12.00	12.00	12.00	MAN
Ex Heavy Duty 9"	50.00	50.00	50.00	50.00	XHD9
Ex Heavy Duty 7"	50.00	50.00	50.00	50.00	XHD7

(\*approximate height)

#### Bases and Castors

Polished Aluminium Base	35.00	35.00	35.00	35.00	/CHR
Brake Loaded Castors (set of 5)	18.00	18.00	18.00	18.00	BLC
Brake Unloaded Castors (set of 5)	18.00	18.00	18.00	18.00	BUC
Lockable Castors (set of 5)	13.00	13.00	13.00	13.00	LOC
Soft Wheel Castors (set of 5)	13.00	13.00	13.00	13.00	SWC
Anti-static Castors	40.00	40.00	40.00	40.00	ASC
Footring	30.00	30.00	30.00	30.00	FTR
50% Footplate	65.00	65.00	65.00	65.00	HFP

## adapt<sup>®</sup> 600 range

Semi-Knee Tilt. Asynchronous Mech

**Adapt 610**

**Adapt 620**

**Adapt 630**

**Adapt 640**



### Price of Chair without arms

£475

£485

£495

£495

### Dimensions:

	Adapt 610	Adapt 620	Adapt 630	Adapt 640
Seat Depth (mm)	440 - 500	440 - 500	440 - 500	470 - 530
Seat Width (mm)	480	480	480	510
Back Height (mm)	400 - 450	450 - 500	560 - 620	400 - 450
Back Width (mm)	460	460	460	460

### Head & Neck Supports

	£	£	£	£	Code
Head Rest	68.00	68.00	68.00	68.00	HEADREST
Neck Roll	68.00	68.00	68.00	68.00	NECKROLL
Neck Curve	68.00	68.00	68.00	68.00	NCURVE

### Back Options

	£	£	£	£	Code
Reactive Lumbar Support	40.00	40.00	40.00	40.00	/3 LUM
Thoracic Support	23.50	23.50	23.50	23.50	/THOR
Vertical Support (L,R or Both) (each)	19.00	19.00	19.00	19.00	VSL/VSR
Memory Foam Backrest	33.00	33.00	33.00	33.00	MFB
Extended Back Bar (+75mm)	22.00	22.00	22.00	22.00	EXTD
Reduced Back Width (min 410mm)	21.00	21.00	21.00	21.00	REDB

### Arm Options

	£	£	£	£	Code
Height Adjustable Arms - PU pad	65.00	65.00	65.00	65.00	HAA
Rotating Arms	65.00	65.00	65.00	65.00	WSARM
HAA Arms + retractable pad	72.00	72.00	72.00	72.00	1234
HAA Arms + lateral movement pad	85.00	85.00	85.00	85.00	1233
Mobile Support Arms (pair)	100.00	100.00	100.00	100.00	MSA
Gel Arm Pads (pair)	35.00	35.00	35.00	35.00	GEL
P Shaped Arm Pads (pair)	60.00	60.00	60.00	60.00	UPARM

### Seat Options

	£	£	£	£	Code
XL seat 510 wide x 500 deep (mm)	21.00	21.00	21.00	21.00	EXSEAT
XXL seat 610 wide x 610 deep (mm)	27.00	27.00	27.00	27.00	EXXSEAT
Coccyx Cut Out	15.00	15.00	15.00	15.00	/CC
Coccyx Comfort Zone	10.00	10.00	10.00	10.00	/CZ
Inflatable Thigh Support (pair)	30.00	30.00	30.00	30.00	/TS
Reduced Seat Width (min 410 mm)	20.00	20.00	20.00	20.00	REDW
Reduced Seat Depth (min 410 mm with slide)	20.00	20.00	20.00	20.00	REDD
Memory Foam Seat (additional layer)	28.00	28.00	28.00	28.00	MFS

### Gas Lifts

	£	£	£	£	Code
Gas Lift 1 - Seat Height - 430 - 540 mm *	20.00	20.00	20.00	20.00	GAS1
Gas Lift 2 - Seat Height - 480 - 630 mm *	standard	standard	standard	standard	GAS2
Gas Lift 3 - Seat Height - 620 - 820 mm *	25.00	25.00	25.00	25.00	GAS3
Non Swivel 9" Gas Lift	50.00	50.00	50.00	50.00	NSG
9 " Manual Lift	12.00	12.00	12.00	12.00	MAN
Ex Heavy Duty 9"	50.00	50.00	50.00	50.00	XHD9
Ex Heavy Duty 7"	50.00	50.00	50.00	50.00	XHD7

(\*approximate height)

### Bases and Castors

	£	£	£	£	Code
Polished Aluminium Base	35.00	35.00	35.00	35.00	/CHR
Brake Loaded Castors (set of 5)	18.00	18.00	18.00	18.00	BLC
Brake Unloaded Castors (set of 5)	18.00	18.00	18.00	18.00	BUC
Lockable Castors (set of 5)	13.00	13.00	13.00	13.00	LOC
Soft Wheel Castors (set of 5)	13.00	13.00	13.00	13.00	SWC
Anti-static Castors	40.00	40.00	40.00	40.00	ASC
Footring	30.00	30.00	30.00	30.00	FTR
50% Footplate	65.00	65.00	65.00	65.00	HFP

## adapt<sup>®</sup> 600 range

Semi-Knee Tilt. Asynchronous Mech

**Adapt 650**

**Adapt 660**

**Adapt 680**



### Price of Chair without arms

**£505**

**£515**

**£540**

### Dimensions:

	Adapt 650	Adapt 660	Adapt 680
Seat Depth (mm)	470 - 530	470 - 530	580 - 640
Seat Width (mm)	510	510	600
Back Height (mm)	450 - 500	560 - 620	600 - 650
Back Width (mm)	460	460	510

### Head & Neck Supports

	£	£	£	Code
Head Rest	68.00	68.00	68.00	HEADREST
Neck Roll	68.00	68.00	68.00	NECKROLL
Neck Curve	68.00	68.00	68.00	NCURVE

### Back Options

Reactive Lumbar Support	40.00	40.00	40.00	/3 LUM
Thoracic Support	23.50	23.50	23.50	/THOR
Vertical Support (L,R or Both) (each)	19.00	19.00	19.00	VSL/VSR
Memory Foam Backrest	33.00	33.00	33.00	MFB
Extended Back Bar (+75mm)	22.00	22.00	22.00	EXTD
Reduced Back Width	21.00	21.00	21.00	REDB

### Arm Options

Height Adjustable Arms - PU pad	65.00	65.00	65.00	HAA
Rotating Arms	65.00	65.00	65.00	WSARM
HAA Arms + retractable pad	72.00	72.00	72.00	1234
HAA Arms + lateral movement pad	85.00	85.00	85.00	1233
Mobile Support Arms (pair)	100.00	100.00	100.00	MSA
Gel Arm Pads (pair)	35.00	35.00	35.00	GEL
P Shaped Arm Pads (pair)	60.00	60.00	60.00	UPARM

### Seat Options

XL seat 510 wide x 500 deep (mm)	21.00	21.00	21.00	EXSEAT
XXL seat 610 wide x 610 deep (mm)	27.00	27.00	27.00	EXXSEAT
Coccyx Cut Out	15.00	15.00	15.00	/CC
Coccyx Comfort Zone	10.00	10.00	10.00	/CZ
Inflatable Thigh Support	30.00	30.00	30.00	/TS
Reduced Seat Width (min 410 mm)	20.00	20.00	20.00	REDW
Reduced Seat Depth (min 410 mm with slide)	20.00	20.00	20.00	REDD
Memory Foam Seat (additional layer)	28.00	28.00	28.00	MFS

### Gas Lifts

Gas Lift 1 - Seat Height - 430 - 540 mm *	20.00	20.00	20.00	GAS1
Gas Lift 2 - Seat Height - 480 - 630 mm *	standard	standard	standard	GAS2
Gas Lift 3 - Seat Height - 620 - 820 mm *	25.00	25.00	25.00	GAS3
Non Swivel 9" Gas Lift	50.00	50.00	50.00	NSG
9 " Manual Lift	12.00	12.00	12.00	MAN
Ex Heavy Duty 9"	50.00	50.00	50.00	XHD9
Ex Heavy Duty 7"	50.00	50.00	50.00	XHD7

(\*approximate height)

### Bases and Castors

Polished Aluminium Base	35.00	35.00	35.00	/CHR
Brake Loaded Castors (set of 5)	18.00	18.00	18.00	BLC
Brake Unloaded Castors (set of 5)	18.00	18.00	18.00	BUC
Lockable Castors (set of 5)	13.00	13.00	13.00	LOC
Soft Wheel Castors (set of 5)	13.00	13.00	13.00	SWC
Anti-static Castors	40.00	40.00	40.00	ASC
Footring	30.00	30.00	30.00	FTR
50% Footplate	65.00	65.00	65.00	HFP

# adapt ® 700 range

Our **adapt ® 700** range is currently under review & will be relaunched later in 2011 with a brand new look & purpose

...Watch this space and please check our website regularly for updates!

[www.erogchair.co.uk](http://www.erogchair.co.uk)

## Zento<sup>®</sup>

"Encouraging great posture, everyday"

### Features as standard:

Memory Foam Seat  
 Inflatable Lumbar Support  
 Independent back angle adjustment  
 Synchronised Mechanism  
 Additional 3 degrees of forward tilt  
 Seat Depth Adjustment  
 Back Height Adjustment  
 Aluminium Base  
 Two-tone Upholstery



**Zento**  
**£385**

### Price of Chair without arms

#### Dimensions:

	Min	Max	CODE
			ZEN
<b>Seat Sizes:</b>			
Regular-			
Seat Width (mm)		460	
Seat Depth (mm)	460	510	
Large -			
Seat Width (mm)		520	
Seat Depth (mm)	460	510	
Seat Height (mm)	485	575	
<b>Back Size:</b>			
Back Height (mm)	570	640	
Back Width (mm)	420	420	

#### Arm Options

Height Adjustable Arms - PU pad	65.00	HAA
HAA Arms + retractable pad	72.00	1234

#### Gas Lifts (seat height in mm)

7" Gas lift (430 - 530)	standard	Gas 7"
-------------------------	----------	--------

(\*approximate height)

#### Bases and Castors

Brake Loaded Castors (set of 5)	18.00	BLC
Brake Unloaded Castors (set of 5)	18.00	BUC
Lockable Castors (set of 5)	13.00	LOC
Soft Wheel Castors (set of 5)	13.00	SWC

## Specialist Adaptations

Item	Price RRP	Code
Movement Lock <sup>TM</sup> as part of an Adapt <sup>®</sup> Chair	£250.00	MLOCK
Swivel Lock	£60.00	SLOCK
Adapted Armrests* * Extended or Reduced Height	£41.50	ADARM
Massage Chair 6 position + single heat pad	£240.00	MASSAGE
Leg Rest	£125.00	LEGR
Double Leg Rest	£145.00	DLEGR
Articulated Leg Rest	£175.00	ARTLEG
Split Seat	£130.00	SPLIT
Internal Sprung Seat as part of an Adapt <sup>®</sup> Chair	£20.00	SPR
Extended Levers	£30.00 per lever	REM
Heated Pads (Set of 3)	£170.00	HPS
Draughtsperson Conversion Kit includes High Gas Stem & Foot Ring	£55.00	DTMN
Mini Pump Battery Powered	£40.00	MINIP
ErgoCore Seat System	£60.00	ECORE

If the option you are looking for is not shown, give us a call to discuss what you need  
Transport & Delivery Costs = £14.00 per chair within UK (excl Channel Islands & NI)

# Actyv™ Range

	£	CODE
<b>Actyv™ SEAT WEDGE</b> 400mm x 400mm	£40.00	SEATWEDGE
<b>Actyv™ COCCYX CUT OUT WEDGE</b> 400mm x 400mm	£40.00	COCCYXWEDGE
<b>Actyv™ COMFORT CUSHION</b> 400mm x 400mm	£40.00	COMFCUSH
<b>Actyv™ COCCYX COMFORT CUSHION</b> 440mm x 415mm	£40.00	COCCYXCUSH
<b>Actyv™ COMFY CUSHION</b> 420mm x 420mm	£56.50	COMFY
<b>Actyv™ PORTABLE LUMBAR SUPPORT</b> 200mm x 100mm	£31.00	PORTLUMR
<b>Actyv™ PORTABLE LUMBAR - VERTICAL</b> 100mm x 200mm	£33.00	PORTLUMV
<b>Actyv™ PORTABLE LUMBAR LARGE</b> 300mm x 150mm	£33.00	PORTLUML
<b>Actyv™ REACTIVE LUMBAR SUPPORT</b> 300mm x 300mm	£38.00	REACTLUM
<b>Actyv™ 4 INCH D ROLL</b> 350mm x 140mm x 100mm	£30.00	DROLL
<b>Actyv™ VE Wrist Rest</b> 460mm x 75mm x 40mm	£23.00	WREST

**Above Items available in the following Camira Velvetine colours:**

**Buffalo (Black) / Ocelot (Turquoise)**

**Platypus (Grey) / Hyena (Red)**

**Carriage Cost = £6.00 per Item Royal Mail recorded delivery  
within UK (ex Channel Islands & N Ireland)  
£10.00 for 2 or more items to same address with courier**

## Fabric & Upholstery Choices

Fabric	Fire Retardancy	Wear Test (Martindale)	Wool/Viscose	Price Group
<b>J Bradbury &amp; Co</b>				
Omega	BS7176 - Medium Hazard	100,000	100% Polyester	1
Pyra	BS7176 - Medium Hazard	60,000	100% Viscose	1
Stirling 54"	BS7176 - Low Hazard	80,000	30/70	1
Excel Plus	BS7176 - Medium Hazard	75,000	33/67	2
Flamblend	BS7176 - Medium Hazard	150,000	37/63	2
Infinite	BS7176 - Low Hazard	750,000	100% Viscose	3
Sovereign Plus	BS7176 - Medium Hazard	40,000	100% Wool	3
Torro	BS7176 - Medium Hazard	700,000 flex	100% Polyurethane	3

### Camira

Phoenix	BS7176 - Low Hazard	100,000	100% Polyester	1
"24/7" Plus	BS7176 - Medium Hazard	500,000	33/67	4
Advantage	BS7176 - Low Hazard	90,000	30/70	2
Air Space	BS7176 - Low Hazard	65,000	100% Polyester	4
Chateau/Castell Plus	BS7176 - Medium Hazard	Perfentex 5	100% Perfentex +	2
Intervene (Xtra Care +)	BS7176 - Medium Hazard	100,000	100% Xtreme FR	4
Mainline Plus	BS7176 - Medium Hazard	75,000	67/33	3
Urban Plus	BS7176 - Medium Hazard	90,000	100% Xtreme FR	3
New Aquarius	BS7176 - Low Hazard	50,000	100% Wool	4
Oxygen	BS7176 - Low Hazard	80,000	90/10	4
Plaza	BS7176 - Low Hazard	45,000	100% Polyester	2
Xtreme Plus	BS7176 - Medium Hazard	100,000	100% Xtreme FR	3
Velvetine Plus	BS7176 - Medium Hazard	100,000	100% Polyamide	5
Stripes Plus	BS7176 - Medium Hazard	100,000	95/5	5
New Blazer	BS7176 - Low Hazard	40,000	100% Wool	5
Smarty Plus	BS7176 - Medium Hazard	200,000	90/10	5
Hi-Tech (anti-static)	BS7176 - Low Hazard	60,000	29/70 + 1% BASF	5
Vintage	BS7176 - Low Hazard	150,000	100% Leather	POA
E-Leather plus	BS7176 - Medium Hazard	200,000 flex	Recycled Leather Fibre	POA
Virtual Plus (Vinyl)	BS7176 - Medium Hazard	700,000 flex	100% Polyurethane	4

Price Group	Adapt® 500	Adapt® 600	Zento
1	Standard	Standard	Standard
2	Plus £10.00	Plus £15.00	Plus £15.00
3	Plus £15.00	Plus £20.00	Plus £20.00
4	Plus £20.00	Plus £35.00	Plus £35.00
5	Plus £30.00	Plus £50.00	Plus £50.00

## Assessment Form



Date: .....

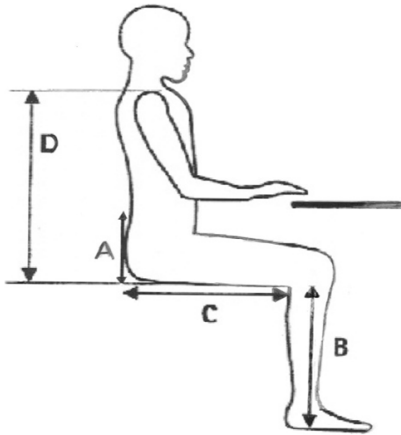
Client Reference: .....

Address: .....

Assessor Reference: .....

Brief description of considerations or condition:

.....  
 .....  
 .....



Dimensions:

Height (cm)

Weight (stones/lb)

Measurements:	
A - Height of Lumbar above seat (mm)	
B - Back of knee to floor (mm)	
C - Back of Buttock to back of knee (mm)	
D - Seat Surface to Shoulder (mm)	
E - Hip Width *not shown on diag (mm)	
F - Width across Lumbar region (mm)	

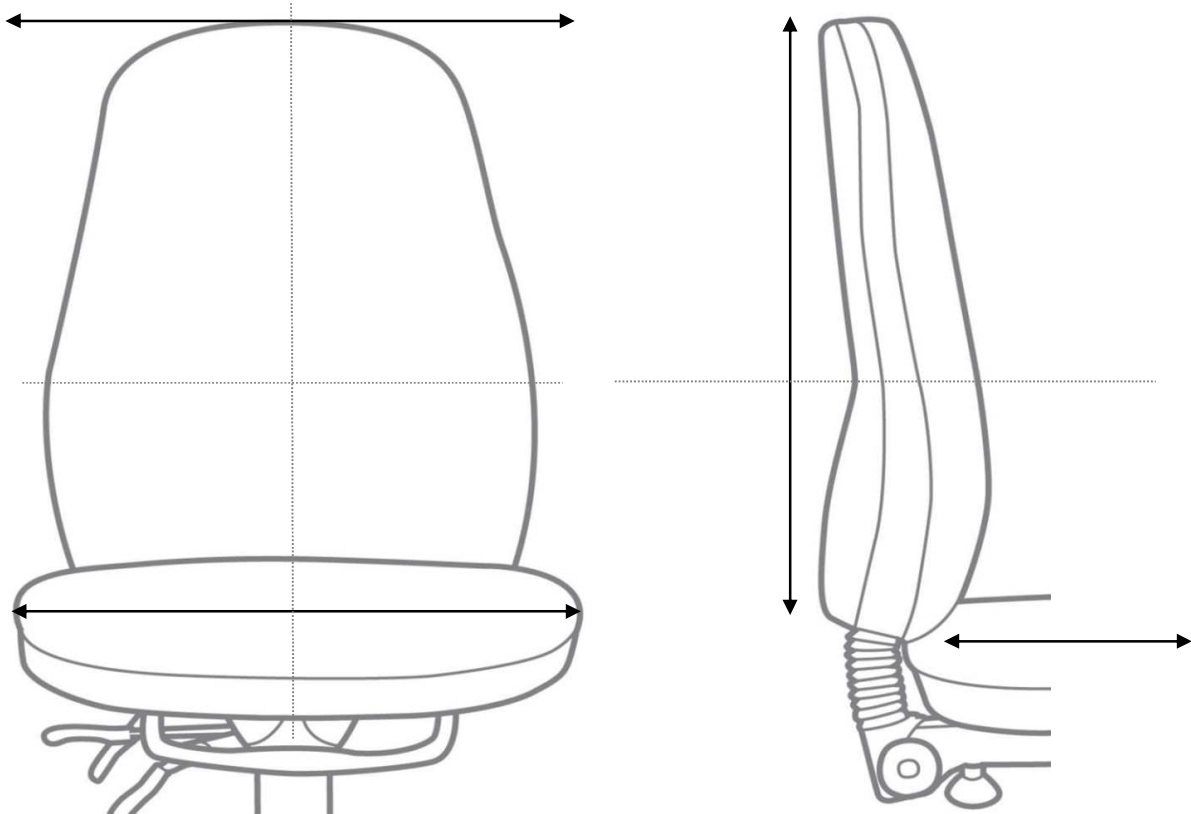
Additional Requirements:	Required
Adjustable Thigh Support(s) L/R (specify)	
Coccyx Cutout or Coccyx Zone (specify CC or CZ)	
Adjustable Thoracic Support	
Ergocore Seat System	
Extra Memory Foam Seat	
Extra Memory Foam Backrest	
Movement Lock	

**Please return form to:**

**sales@ergochair.co.uk or fax to 01454 329266**

...for assistance with completion, please call: 01454 329210

Adaptations™ by



The above diagram is an accurate representation of my client's requirements

Signature: ..... Print Name: .....

Date: ..... Order No: .....

NB:

- 1) Please state Left or Right Hand-side 'as sat'
- 2) Use seat height as the 'constant' for measuring other variables



The Back Centre Ltd  
Erme Court  
Leonards Road  
Ivybridge  
Devon  
PL21 0SZ

t: 01752 893414  
f: 01752 698339  
e: [sales@backcentre.co.uk](mailto:sales@backcentre.co.uk)  
w: [www.backcentre.co.uk](http://www.backcentre.co.uk)



Ergochair Ltd  
Rainbow Court  
Armstrong Way  
Yate  
Bristol  
BS37 5NG

t: 01454 329210  
f: 01454 329266  
e: [sales@ergochair.co.uk](mailto:sales@ergochair.co.uk)  
w: [www.ergochair.co.uk](http://www.ergochair.co.uk)