




# RH Logic





**The RH Logic** is a durable and highly adjustable range of chairs suitable for a wide variety of working environments, and made for 24-hour use. The RH Logic was designed on the basis of our unique philosophy, 2PP™, ensuring variation and support for the user. This chair comes with either a high or a medium backrest. The Logic 4 model comes in two specifications, Exclusive and Elegance. The RH Logic is a true classic.

#### OUR PHILOSOPHY OF ERGONOMICS

At RH Chairs we have our own philosophy of ergonomics based on the two important principles of upright posture and active sitting. These principles improve breathing and circulation and stimulate the muscles. The philosophy is evident in the RH Logic through the unique "two-point principle" or 2PP™, which ensures that your body receives the variation and support it requires as you move. Because the chair's basic settings do not change, this helps you to do more and perform better.

#### DESIGNED FOR HUMAN PERFORMANCE

We engineer every RH chair for peak precision and performance. Your performance. An intelligently designed RH chair will optimise your posture and breathing, so you can always feel alert and perform at your best. Try an RH for yourself and experience the effects of over 30 years of precision engineering and ergonomic know how.

#### FUNCTIONAL DESIGN – Anatomical, innovative and functional performance

Precision ergonomics. Feature-rich functionality. Striking design deconstructed and reconstructed for performance. We engineer each RH Chair to targeted physiological and situational specifications. Our functions lead all our forms.

#### DYNAMIC ERGONOMICS – Proven human performance at the heart of our identity

Our rigorous research and testing methodology validates how an RH chair enhances individual and organisational performance. Our RH Performance Studies have demonstrated an increase in the baseline performance of all organisations who have taken part. Now, that's Return on Investment.

#### QUALITY – Performance and Quality are our Core

To increase customer performance we must consistently deliver products of unquestionable quality. We achieve this through the application of the exacting standards. Our 100% in-house concept to customer production flow, enables us to control every aspect from design and product development to assembly and logistics, in order to ensure a high performance quality.

#### ENVIRONMENT – Finding innovative ways for environmental performance

Our goal is the perpetual high performance of your people as well as the planet that we share. The result is long lasting recyclable products along with a low environmental impact upon our global home.

---

**The degree of lumbar support** is adjusted using an air pump.

---

**The resistance** of the tilt mechanism is simply adjusted according to body weight and height. This allows the chair to follow your movements without the need to exert muscular force to push the chair into new positions. The control is located beneath the seat.

---

**Different base** designs are available: graphite, black or polished aluminium.

---

**Castors** for both hard and soft floors are available. You can also select glides instead of castors.



**The neckrest** (Logic 4 only) is adjustable by height and depth, thereby enhancing comfort for the entire body.

**The backrest** has a generous adjustable lumbar support, providing comfort for the entire back. The height of the backrest is easily adjusted while sitting and its tapered design and "Tvedts" cushion allows your upper body to move freely, while giving great support.

**Armrests are** optional but are recommended since they provide relief for the shoulders. Two armrest variants are available. Both can be adjusted by height and width, one can also be adjusted by depth while the other can be rotated 360 degrees.

**The design of the seat** with a waterfall edge reduces pressure on the underside of the thighs, improving circulation.

**Seat height and depth** can be adjusted quickly and easily. The controls can be accessed even when seated. Selecting the correct height improves blood flow in the legs while the correct seat angle provides exceptional comfort and support.

**The tilt mechanism** is infinitely adjustable, with a smooth action that can be locked in any chosen position. Dynamic seating means the chair follows your every movement regardless of working position, providing complete support, enabling you to always sit correctly and breathe properly.



Different styles for  
different users

The RH Logic is available in several basic variants. All can be equipped with various accessories and extras.



#### **RH LOGIC 3**

The RH Logic 3 has a moulded back with lumbar support for the curve of the back and extra padding to provide support between the shoulders. The backrest narrows towards the top to allow greater freedom of movement. The chair is supplied as standard with adjustable seat depth, a base in grey-lacquered aluminium and castors for soft floors. It may also be specified with an optional lumbar pump.



#### **RH LOGIC 4**

The RH Logic 4 has a high backrest with a pronounced lumbar support to enhance comfort. The backrest narrows towards the top to allow greater freedom of movement for the upper body. The chair is supplied as standard with an adjustable neckrest, a lumbar pump, sliding seat, base in grey-lacquered aluminium and castors for soft floors.



#### **RH LOGIC 4 EXCLUSIVE**

The seat and backrest of the RH Logic 4 Exclusive have thicker padding and stitched seams. A high backrest with padding between the shoulder blades provides excellent support. The chair has a pump-adjusted lumbar support, a sliding seat, a graphite aluminium base and castors for soft floors. In the Combi version, fabric and leather can be combined as required.



#### **RH LOGIC 4 ELEGANCE**

The RH Logic 4 Elegance offers the same specification and features as the Exclusive, but with a leather upholstered back-shell.

#### AN ENVIRONMENTALLY INTELLIGENT CHAIR

All chairs from RH are as kind to the environment as they are good for the body. Like all our chairs, the RH Logic is recyclable. Many of its components are made from recycled materials, our manufacturing processes use low energy technology.

#### GUARANTEE

We build chairs to withstand everyday use and to last for a long time. Before they leave our factory, they undergo rigorous quality control . This enables us to provide a 5-year guarantee, so that you can feel completely secure with your purchase.



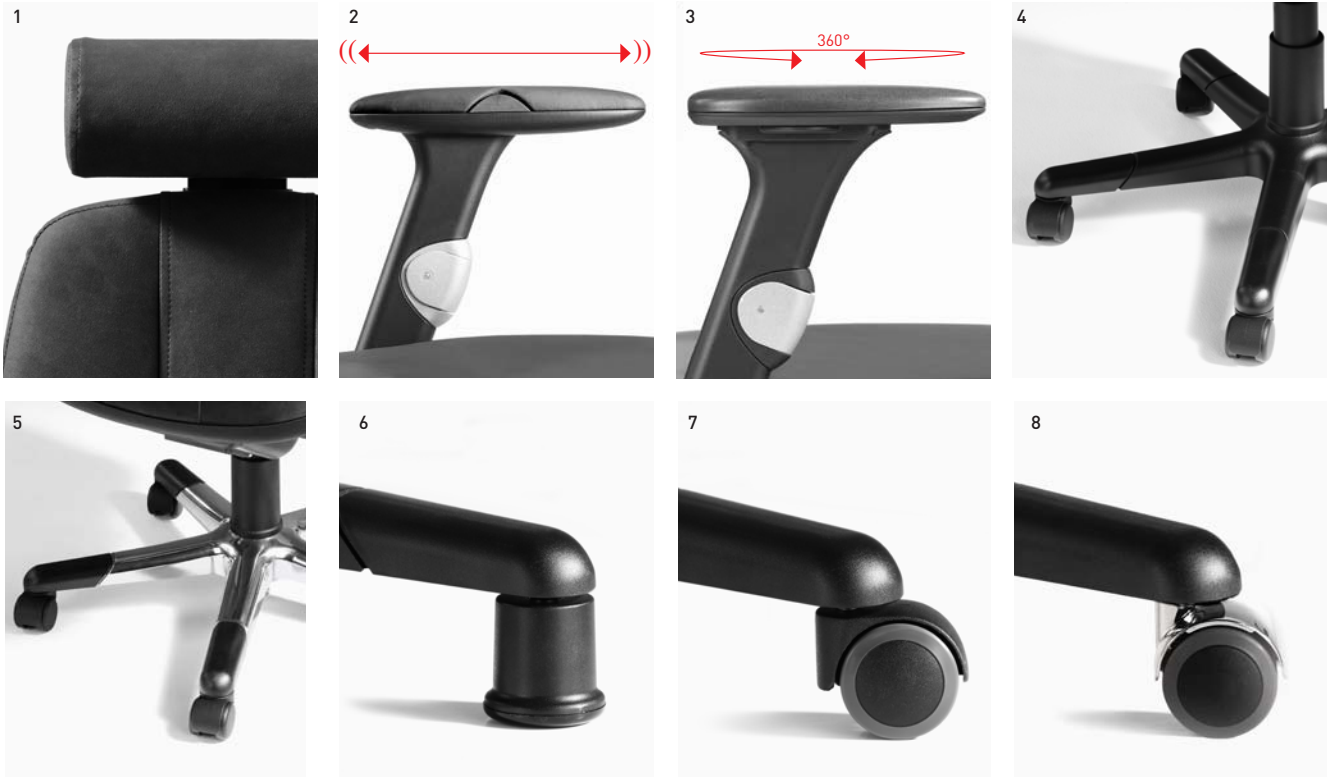
Designed  
for human  
performance



# Options

## RH LOGIC

For your flexibility, the RH Logic offers a generous range of accessories. Naturally, you can also buy the basic chair and add accessories as you need them.



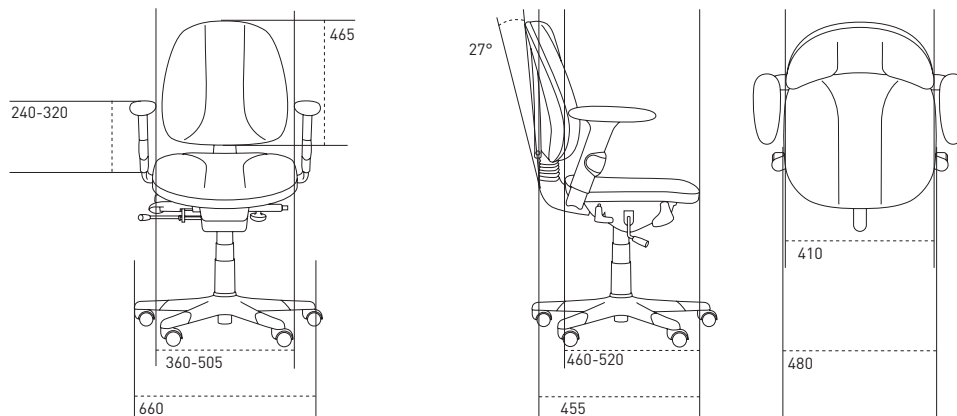
- 1 Neckrest
- 2 Armrest 8E (height, depth, width)
- 3 Armrest 8S (height, width, rotating)
- 4 Base 5K black aluminium

- 5 Base 5J polished aluminium
- 6 Plastic glide 7K
- 7 Castors 7H for hard floors
- 8 Castors 7G lock automatically under load

**Gas stem available for different heights.**  
Standard, approx. 420-540 mm  
4FL, approx. 410-490 mm  
4FH, approx. 490-610 mm (RH Logic 3)  
4FH, approx. 485-610 mm (RH Logic 4)

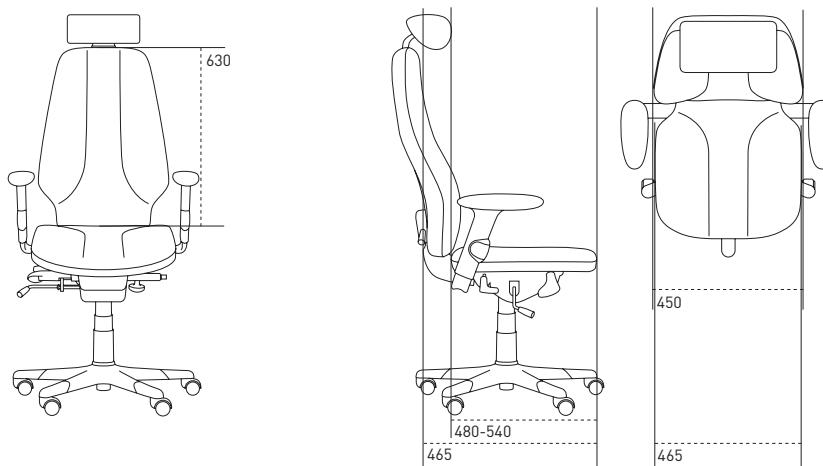
### RH Logic 3

Measurements in mm



### RH Logic 4

Measurements in mm



CHAIR MODEL	LOGIC 3	LOGIC 4
Overall depth	460-520 mm	480-540 mm
Seat depth	455 mm	465 mm
Seat width	480 mm	465 mm
Overall height	420-540 mm	420-540 mm
Seat angle adjustment	+7°-15°	+7°-15°
Height of lumbar support above the seat	165-265 mm	195-275 mm
Backrest height	465 mm	630 mm
Backrest height adjustment (from seat)	165-240 mm	170-245 mm
Backrest width	410 mm	450 mm
Back angle adjustment	27°	27°
Height of armrest above seat	240-320 mm	240-320 mm
Distance between armrests	360-505 mm	360-505 mm
Diameter of base	660 mm	660 mm

OUR ENVIRONMENTAL AND QUALITY POLICY  
All chairs from RH are recyclable. RH  
Chairs holds both ISO 14001 environ-  
mental certification and ISO 9001 quality  
certification.



The design and specifications of RH Chairs' products are developed on an ongoing basis and the above formulations should not be perceived as completely final. All measurements according to BS/EN 1335 - 1.



The Back Centre Ltd  
Erme Court  
Leonards Road  
Ivybridge  
Devon PL21 0SZ  
Tel: 01752 893414  
sales@backcentre.co.uk  
www.backcentre.co.uk

The human body is an anatomical miracle. And the better we take care of our bodies, the better we perform. That is as true when it comes to sporting activities as it is for when we are carrying out what we might assume are the most routine of tasks, such as sitting. When we sit in a chair that takes into account our body's natural ease of movement, we breathe better. When we breathe better, it's easier for us to concentrate and we perform better. These are the factors we take into account when designing our chairs. For our customers, that can make the difference between good business and great business.

### **RH Chairs. Designed for human performance**

**United Kingdom**  
RH Chairs  
Upper Tulse Hill Trading Estate  
5 Somers Place  
London SW2 2AL  
Tel: +44 (0)20 8683 9930  
Fax: +44 (0)20 8683 9940  
info@rhchairs.co.uk  
www.rhchairs.co.uk

A Brand of Scandinavian Business Seating

